

HEAVY DUTY H-SERIES GEAR PUMPS

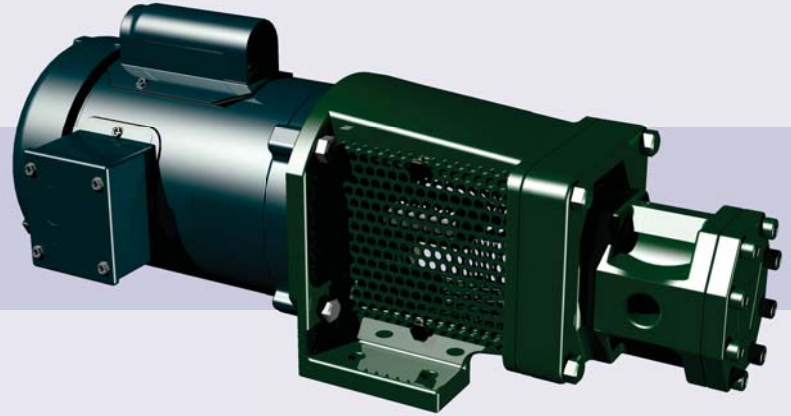


The H series Heavy Gear Pumps are a close tolerance, medium flow, high pressure positive displacement pump. A standard in the industry since 1906.

APPLICATIONS

- Oil Transfer Pump
- Liquid Transfer/Circulation
- Small Booster Jockey Pump
- Spray Nozzles/Misting
- Hydraulic/Hydrostatic

FLOW: 0-3 GPM | 0-0.18 L/s | 0-0.68 m³/hr
PRESSURE: 0-500 PSI | 34.5 Bar | 0-1155 Ft.



FEATURES

- Precision Spur Style Gears
- Self Priming due to close manufacturing tolerances
- Suction lift of up to 25 feet
- Pump housings are of Cast Iron
- Pump shafts are of stainless steel
- Mechanical seals of Buna or Viton
- Carbon graphite shaft bearings
- Bearings never need lubrication
- Easy maintenance and service

SPECIFICATIONS

PORTS	1/2" NPT / 12.5 mm
CAPACITY	3.0 USGPM / 0.18 L/s (Max.)
PRESSURE	500 PSI / 34.5 Bar (Max.)
INLET PRESSURE	50 PSI / 3.5 Bar (Max.)
TEMPERATURE	225° F (100°C) (Buna Seal)

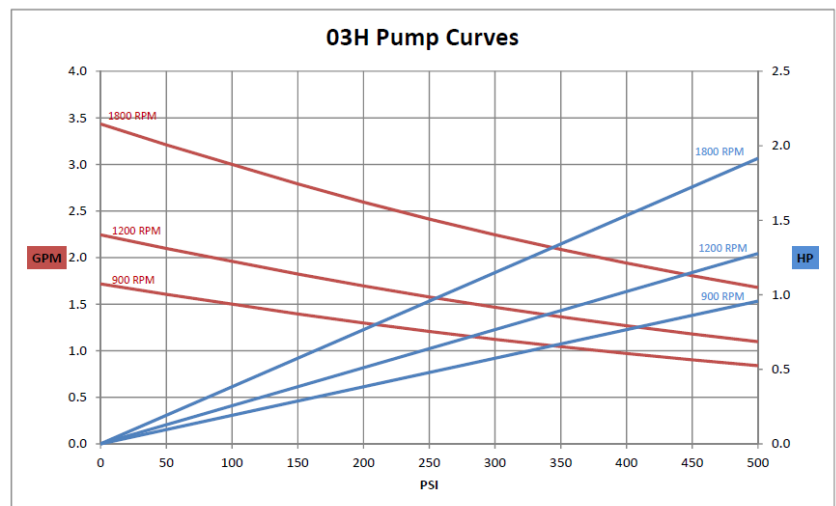
ROTATION

Standard rotation has the pump discharge on the right (facing the pump end). Standard Motors are uni-directional, so to change the rotation on the pumps simply loosen the bolt that holds the pump-end to the motor, and rotate the pump 180° so the discharge is on the left.

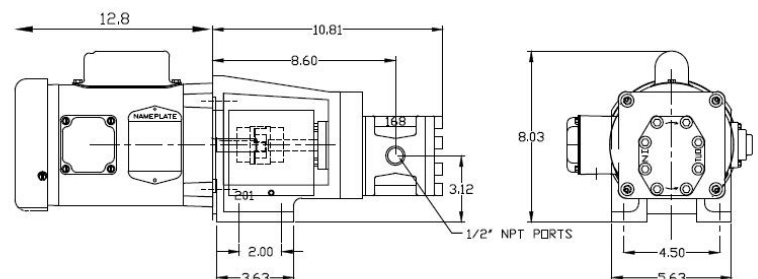
MAINTENANCE

To ensure a long life to this pump a strainer is always recommended in front of the pump inlet.

PERFORMANCE



DIMENSIONS



Note: Motor dimensions may vary.

HEAVY DUTY H-SERIES GEAR PUMPS



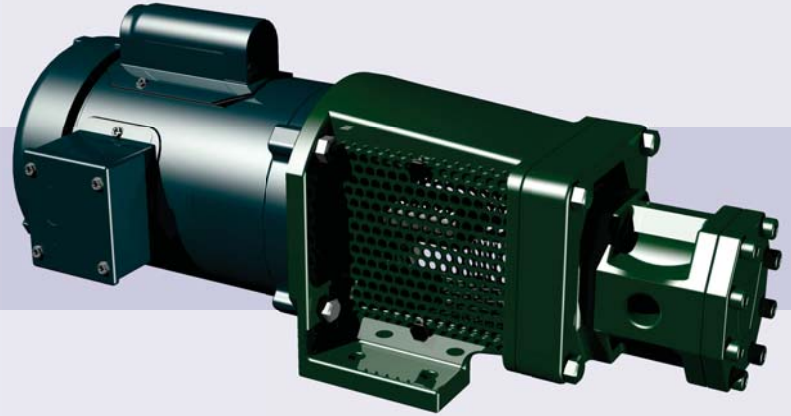
The H series Heavy Gear Pumps are a close tolerance, medium flow, high pressure positive displacement pump. A standard in the industry since 1906.

APPLICATIONS

- Oil Transfer Pump
- Liquid Transfer/Circulation
- Small Booster Jockey Pump
- Spray Nozzles/Misting
- Hydraulic/Hydrostatic

FLOW: 0-5 GPM | 0-0.32 L/s | 0-1.14 m³/hr

PRESSURE: 0-500 PSI | 34.5 Bar | 0-1155 Ft.



FEATURES

- Precision Spur Style Gears
- Self Priming due to close manufacturing tolerances
- Suction lift of up to 25 feet
- Pump housings are of Cast Iron
- Pump shafts are of stainless steel
- Mechanical seals of Buna or Viton
- Carbon graphite shaft bearings
- Bearings never need lubrication
- Easy maintenance and service

SPECIFICATIONS

PORTS	3/4" NPT / 19.1 mm
CAPACITY	5.0 USGPM / 0.32 L/s (Max.)
PRESSURE	500 PSI / 34.5 Bar (Max.)
INLET PRESSURE	50 PSI / 3.5 Bar (Max.)
TEMPERATURE	225° F (100°C) (Buna Seal)

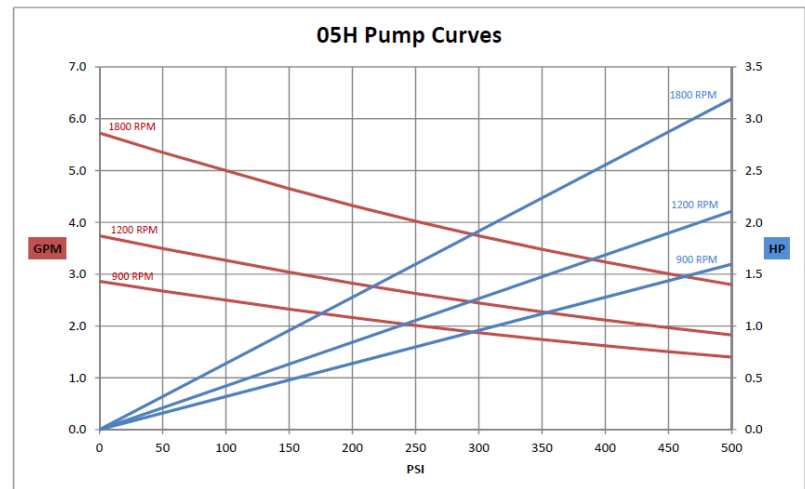
ROTATION

Standard rotation has the pump discharge on the right (facing the pump end). Standard Motors are uni-directional, so to change the rotation on the pumps simply loosen the bolt that holds the pump-end to the motor, and rotate the pump 180° so the discharge is on the left.

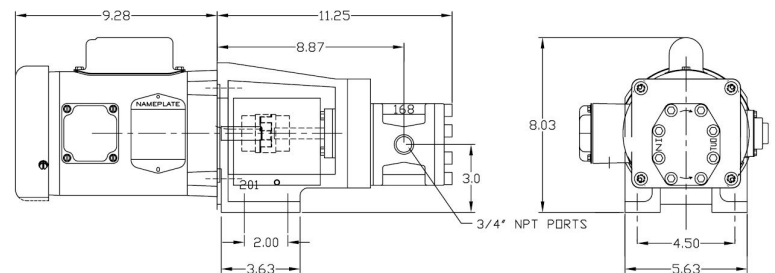
MAINTENANCE

To ensure a long life to this pump a strainer is always recommended in front of the pump inlet.

PERFORMANCE



DIMENSIONS



Note: Motor dimensions may vary.

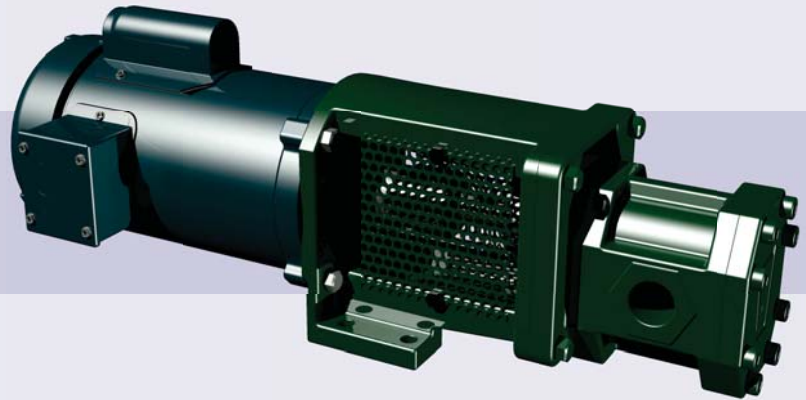
HEAVY DUTY H-SERIES GEAR PUMPS



The H series Heavy Gear Pumps are a close tolerance, medium flow, high pressure positive displacement pump. A standard in the industry since 1906.

APPLICATIONS

- Oil Transfer Pump
- Liquid Transfer/Circulation
- Small Booster Jockey Pump
- Spray Nozzles/Misting
- Hydraulic/Hydrostatic



FLOW: 0-10 GPM | 0-0.63 L/s | 0-2.27 m³/hr

PRESSURE: 0-500 PSI | 34.5 Bar | 0-1155 Ft.

FEATURES

- Precision Spur Style Gears
- Self Priming due to close manufacturing tolerances
- Suction lift of up to 25 feet
- Pump housings are of Cast Iron
- Pump shafts are of stainless steel
- Mechanical seals of Buna or Viton
- Carbon graphite shaft bearings
- Bearings never need lubrication
- Easy maintenance and service

SPECIFICATIONS

PORTS	1" NPT / 25.4 mm
CAPACITY	10.0 USGPM / 0.63 L/s (Max.)
PRESSURE	500 PSI / 34.5 Bar (Max.)
INLET PRESSURE	50 PSI / 3.5 Bar (Max.)
TEMPERATURE	225° F (100°C) (Buna Seal)

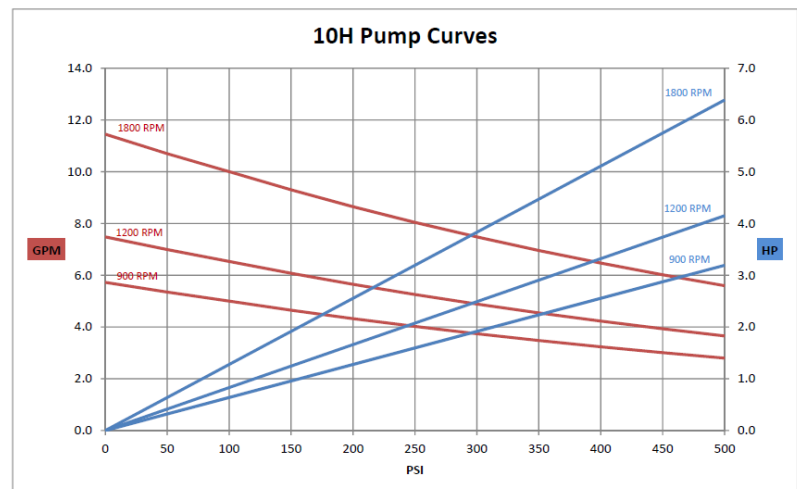
ROTATION

Standard rotation has the pump discharge on the right (facing the pump end). Standard Motors are uni-directional, so to change the rotation on the pumps simply loosen the bolt that holds the pump-end to the motor, and rotate the pump 180° so the discharge is on the left.

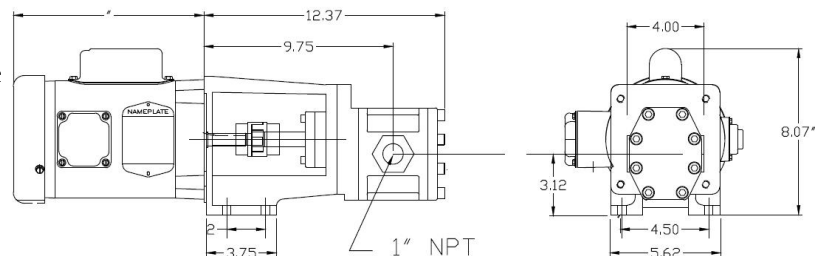
MAINTENANCE

To ensure a long life to this pump a strainer is always recommended in front of the pump inlet.

PERFORMANCE



DIMENSIONS



Note: Motor dimensions may vary.

HEAVY DUTY H-SERIES GEAR PUMPS



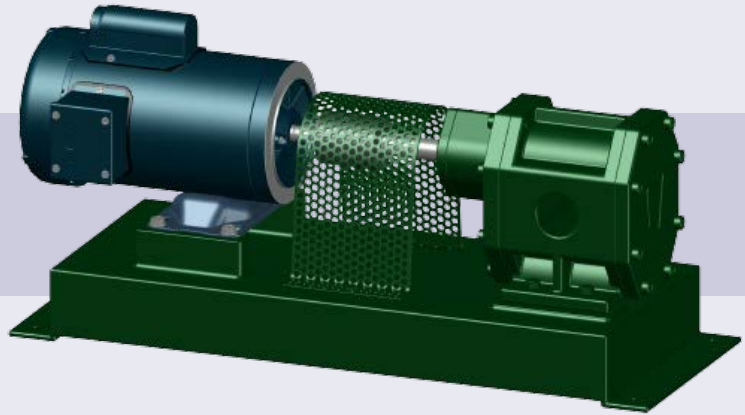
The H series Heavy Gear Pumps are a close tolerance, medium flow, high pressure positive displacement pump. A standard in the industry since 1906.

APPLICATIONS

- Oil Transfer Pump
- Liquid Transfer/Circulation
- Small Booster Jockey Pump
- Spray Nozzles/Misting
- Hydraulic/Hydrostatic

FLOW: 0-18 GPM | 0-1.13 L/s | 0-4.09 m³/hr

PRESSURE: 0-500 PSI | 34.5 Bar | 0-1155 Ft.



FEATURES

- Precision Spur Style Gears
- Self Priming due to close manufacturing tolerances
- Suction lift of up to 25 feet
- Pump housings are of Cast Iron
- Pump shafts are of stainless steel
- Mechanical seals of Buna or Viton
- Carbon graphite shaft bearings
- Bearings never need lubrication
- Easy maintenance and service

SPECIFICATIONS

PORTS	1-1/4" NPT / 31.8 mm
CAPACITY	18.0 USGPM / 1.13 L/s (Max.)
PRESSURE	500 PSI / 34.5 Bar (Max.)
INLET PRESSURE	50 PSI / 3.5 Bar (Max.)
TEMPERATURE	225° F (100°C) (Buna Seal)

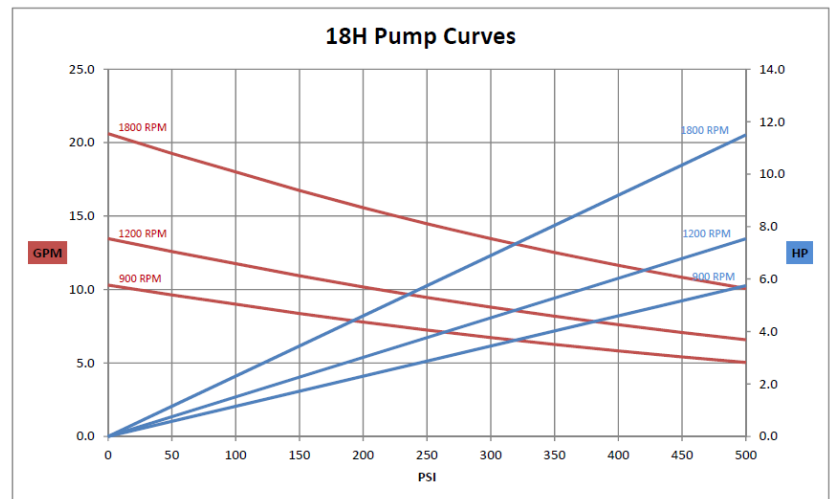
ROTATION

Standard rotation has the pump discharge on the right (facing the pump end). Standard Motors are uni-directional, so to change the rotation on the pumps simply loosen the bolt that holds the pump-end to the motor, and rotate the pump 180° so the discharge is on the left.

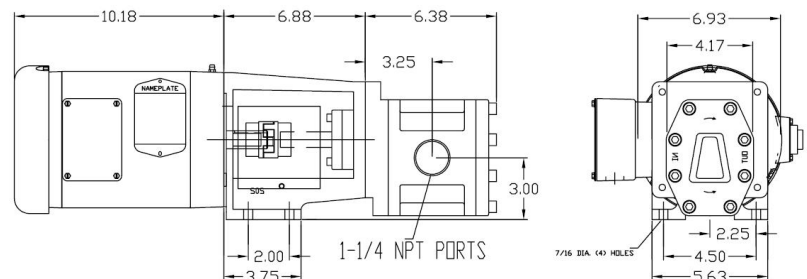
MAINTENANCE

To ensure a long life to this pump a strainer is always recommended in front of the pump inlet.

PERFORMANCE



DIMENSIONS



Note: Motor dimensions may vary.

HEAVY DUTY H-SERIES GEAR PUMPS



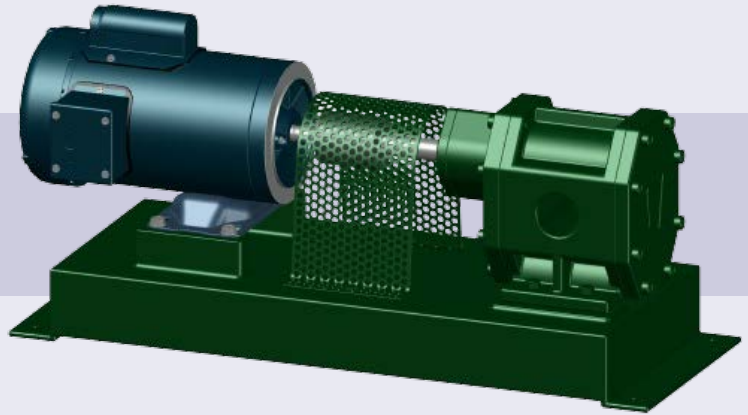
The H series Heavy Gear Pumps are a close tolerance, medium flow, high pressure positive displacement pump. A standard in the industry since 1906.

APPLICATIONS

- Oil Transfer Pump
- Liquid Transfer/Circulation
- Small Booster Jockey Pump
- Spray Nozzles/Misting
- Hydraulic/Hydrostatic

FLOW: 0-25 GPM | 0-1.58 L/s | 0-5.68 m³/hr

PRESSURE: 0-500 PSI | 34.5 Bar | 0-1155 Ft.



FEATURES

- Precision Spur Style Gears
- Self Priming due to close manufacturing tolerances
- Suction lift of up to 25 feet
- Pump housings are of Cast Iron
- Pump shafts are of stainless steel
- Mechanical seals of Buna or Viton
- Carbon graphite shaft bearings
- Bearings never need lubrication
- Easy maintenance and service

SPECIFICATIONS

PORTS	1-1/2" NPT / 38.1 mm
CAPACITY	25.0 USGPM / 1.58 L/s (Max.)
PRESSURE	500 PSI / 34.5 Bar (Max.)
INLET PRESSURE	50 PSI / 3.5 Bar (Max.)
TEMPERATURE	225° F (100°C) (Buna Seal)

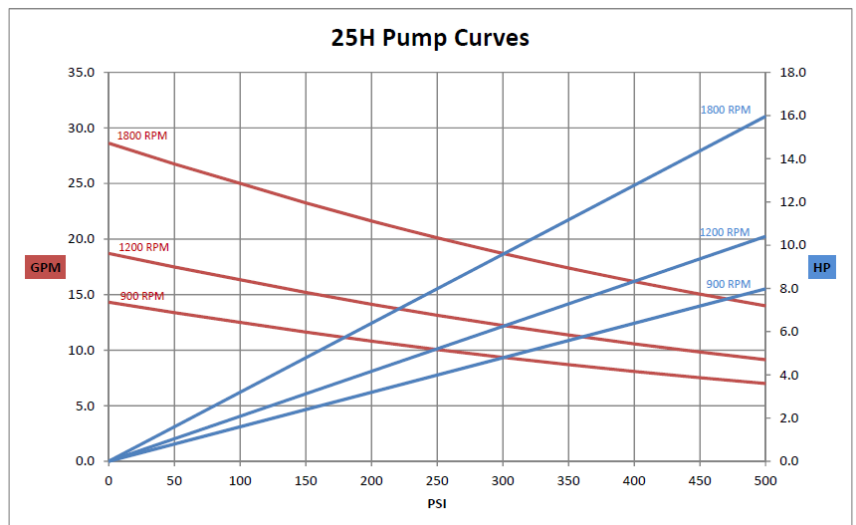
ROTATION

Standard rotation has the pump discharge on the right (facing the pump end). Standard Motors are uni-directional, so to change the rotation on the pumps simply loosen the bolt that holds the pump-end to the motor, and rotate the pump 180° so the discharge is on the left.

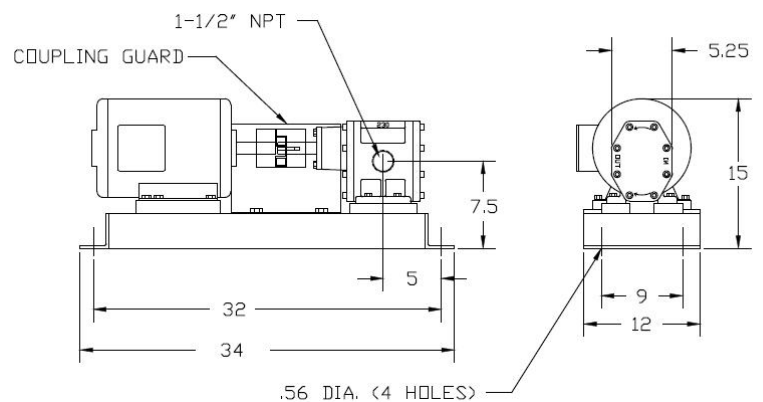
MAINTENANCE

To ensure a long life to this pump a strainer is always recommended in front of the pump inlet.

PERFORMANCE



DIMENSIONS



Note: Motor dimensions may vary.

HEAVY DUTY H-SERIES GEAR PUMPS



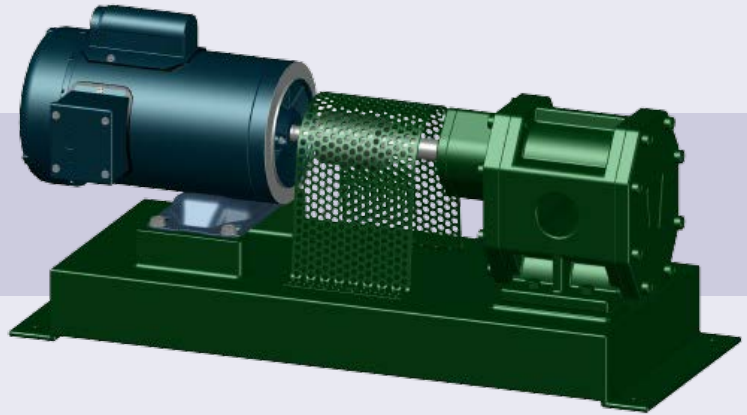
The H series Heavy Gear Pumps are a close tolerance, medium flow, high pressure positive displacement pump. A standard in the industry since 1906.

APPLICATIONS

- Oil Transfer Pump
- Liquid Transfer/Circulation
- Small Booster Jockey Pump
- Spray Nozzles/Misting
- Hydraulic/Hydrostatic

FLOW: 0-35 GPM | 0-2.21 L/s | 0-7.95 m³/hr

PRESSURE: 0-500 PSI | 34.5 Bar | 0-1155 Ft.



FEATURES

- Precision Spur Style Gears
- Self Priming due to close manufacturing tolerances
- Suction lift of up to 25 feet
- Pump housings are of Cast Iron
- Pump shafts are of stainless steel
- Mechanical seals of Buna or Viton
- Carbon graphite shaft bearings
- Bearings never need lubrication
- Easy maintenance and service

SPECIFICATIONS

PORTS	1-1/2" NPT / 38.1 mm
CAPACITY	35.0 USGPM / 2.21 L/s (Max.)
PRESSURE	500 PSI / 34.5 Bar (Max.)
INLET PRESSURE	50 PSI / 3.5 Bar (Max.)
TEMPERATURE	225° F (100°C) (Buna Seal)

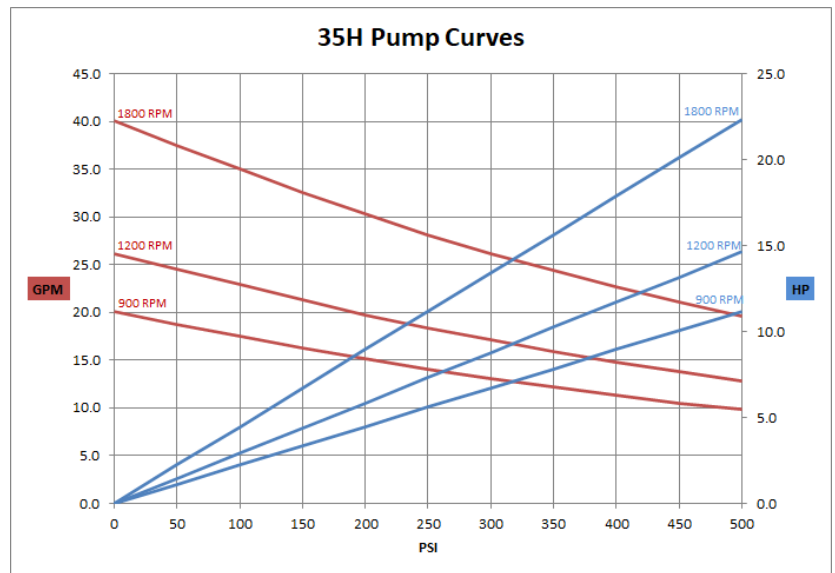
ROTATION

Standard rotation has the pump discharge on the right (facing the pump end). Standard Motors are uni-directional, so to change the rotation on the pumps simply loosen the bolt that holds the pump-end to the motor, and rotate the pump 180° so the discharge is on the left.

MAINTENANCE

To ensure a long life to this pump a strainer is always recommended in front of the pump inlet.

PERFORMANCE



DIMENSIONS

